

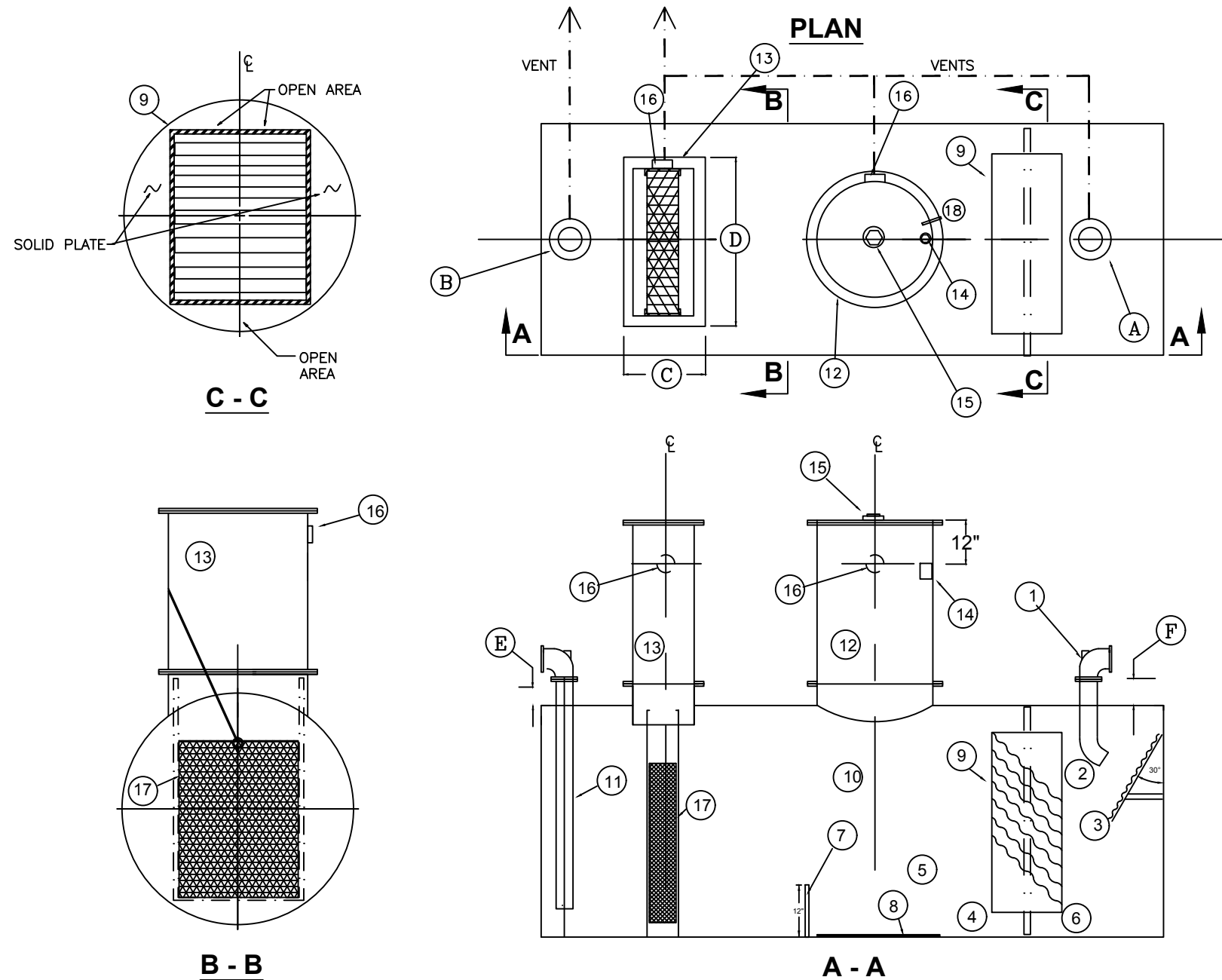
MODEL NO.	FLOW RATE	OIL STORAGE	SPILL CAPACITY	DIAMETER	LENGTH	A I.D.	B I.D.	C Inches	D Inches	E Height	F Height	Weight Lbs.
10-2000	200	800	1500	5'-4"	12'-0"	6"	6"	20"	46"	4"	8"	4200
10-3000	300	1200	2200	5'-4"	18'-0"	6"	6"	20"	46"	4"	8"	4950
10-4000	400	1600	2800	5'-4"	24'-0"	6"	6"	20"	46"	4"	8"	5810
10-5000	600	2000	3500	6'-0"	23'-10"	8"	8"	20"	56"	4"	10"	8090
10-6000	850	2400	4200	6'-0"	28'-8"	8"	8"	20"	56"	4"	10"	9025
10-7000	950	2800	4900	7'-0"	24'-4"	8"	8"	20"	60"	4"	10"	9205
10-8000	1000	3200	5600	7'-0"	28'-0"	8"	8"	20"	60"	4"	10"	10495
10-9000	1150	3600	6300	8'-0"	24'-4"	8"	8"	20"	65"	4"	10"	11005
10-10000	1350	4000	7500	8'-0"	26'-8"	10"	10"	20"	65"	4"	10"	12225
10-12000	1650	4800	8500	8'-0"	32'-0"	10"	10"	20"	65"	4"	10"	13600
10-15000	1950	6000	11000	10'-0"	25'-6"	12"	12"	20"	90"	4"	12"	16420
10-20000	2500	8000	15000	10'-0"	34'-0"	12"	12"	20"	90"	4"	12"	21800
10-25000	3000	10000	18000	10'-6"	38'-9"	14"	14"	20"	96"	4"	14"	29710
10-30000	4000	12000	20000	10'-6"	46'-6"	16"	16"	20"	96"	4"	14"	33795



725 Main Street  
Suwanee, GA 30024  
770.945.8383



High flow 10 PPM  
Oil/Water Separator  
Single-wall



**STANDARD OIL WATER SEPARATOR EQUIPMENT**

1. 150 lb. R.F. INLET / OUTLET FLANGES
2. FLOW DIRECTOR
3. LAMINAR FLOW ENHANCER PLATE
4. SLUDGE COLLECTION
5. SEDIMENT CHAMBER
6. UNDERFLOW BAFFLE
7. SLUDGE BAFFLE
8. STRIKER PLATE
9. CORRUGATED PLATES
10. OIL / WATER SEPARATOR CHAMBER
11. OUTLET DOWNCOMER
12. 24"Ø MANWAY W/ BOLT-ON EXTENSION FOR SEPARATOR ACCESS
13. RECTANGULAR MANWAY & EXTENSION FOR "AT GRADE" COALESCER REMOVAL
14. 2"Ø NPT COUPLING FOR SENSOR CONNECTION
15. 4" NPT FOR OIL PUMP OUT ACCESS
16. 2" NPT FITTING
17. SECONDARY COALESCER WITH RETRIEVAL HANDLE
18. 3/4" COUPLING FOR ELECTRICAL PASS-THRU
- 19.

EXTERIOR COATING:  
BRUSHBLASTED TO S.S.P.C. NO. 6  
MATERIAL: PLASTEEL  
THICKNESS: 100 MILS - SHELL  
100 MILS - HEADS  
INTERIOR COATING:  
OPTIONAL

**NOTE: Inlets, outlets and manways must be vented.  
Failure to vent outlet can result in the syphoning of the unit.**

Date: 10/14/24

All rights reserved. This drawing or any part thereof must not be reproduced in any form without the written permission of Metal Products Company.

Dwg. No.

**HF-10**