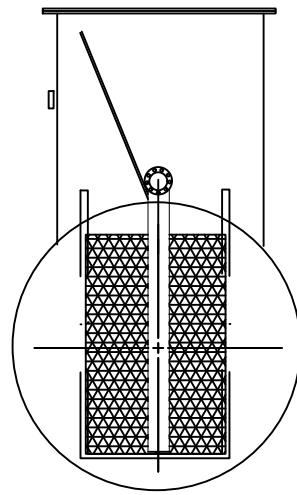


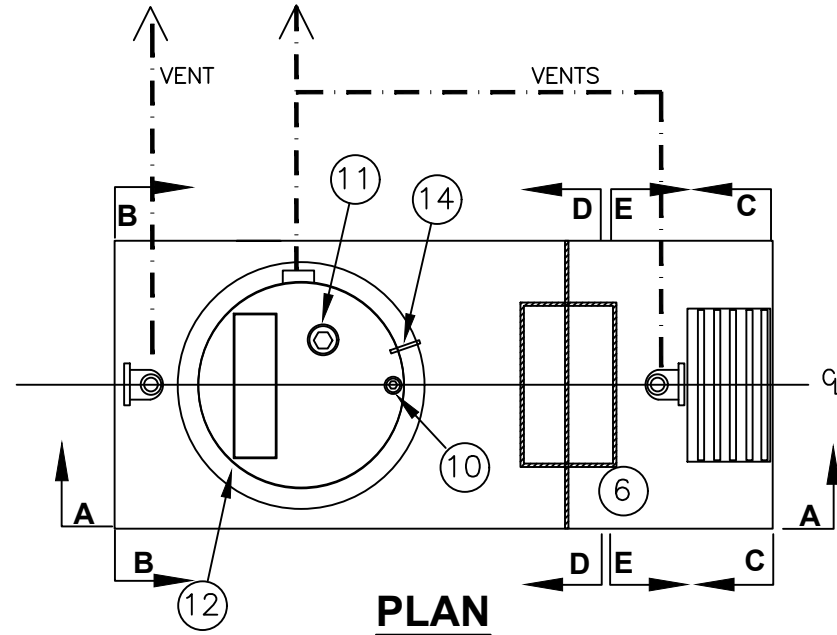
STANDARD OIL WATER SEPARATOR EQUIPMENT

1.	150 lb. R.F. INLET / OUTLET FLANGES
2.	LAMINAR FLOW PLATE
3.	SLUDGE BAFFLE
4.	SEDIMENT CHAMBER
5.	STRIKER PLATE
6.	COALESCING PLATE PACK
7.	REMOVABLE PLATES
8.	4" OUTLET PIPE
9.	2"Ø VENT FITTING
10.	2"Ø LEVEL MONITOR FITTING
11.	4" NPT FOR OIL PUMP OUT ACCESS
12.	30"Ø MANWAY FOR SEPARATOR AND PLATE PACK ACCESS
13.	REMOVABLE COALESCER PACK
14.	3/4" FCPLG FOR ELECTRICAL PASS-THRU
15.	

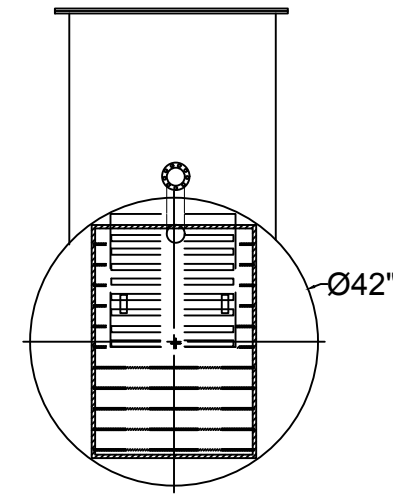
EXTERIOR COATING:
BRUSHBLASTED TO S.S.P.C. NO. 6
MATERIAL: PLASTEEL FRP 100 MILS.
INTERIOR COATING:
OPTIONAL



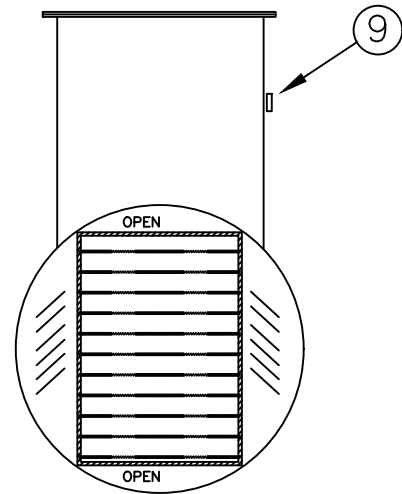
B - B



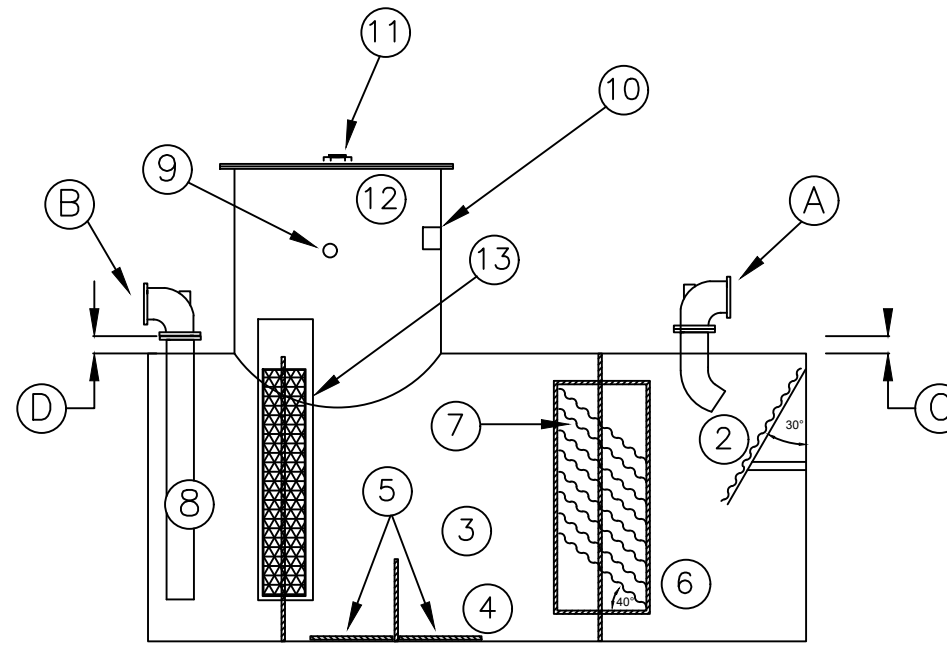
PLAN



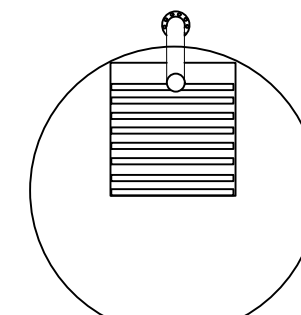
C - C



D - D



A - A



E - E

MODEL NO.	FLOW RATE	OIL STORAGE	SPILL CAPACITY	DIAMETER	LENGTH	STEEL THICKNESS	A I.D.	B I.D.	C Height	D Height	Weight Lbs.
429610-65	65	220	300	3'-6"	8'-0"	7GA.	4"	4"	8"	4"	1200
5012010-150	150	400	750	4'-2"	10'-0"	7GA.	6"	6"	8"	4"	1800

NOTE: Inlets, outlets and manways must be vented.
Failure to vent outlet can result in the syphoning of the unit.



725 Main Street
Suwanee, GA 30024
770.945.8383



Low flow 10 PPM
Oil/Water Separator
Single-wall

Date: 10/14/24

All rights reserved. This drawing or any part thereof must not be reproduced in any form without the written permission of Metal Products Company.

Dwg. No.

LF-10